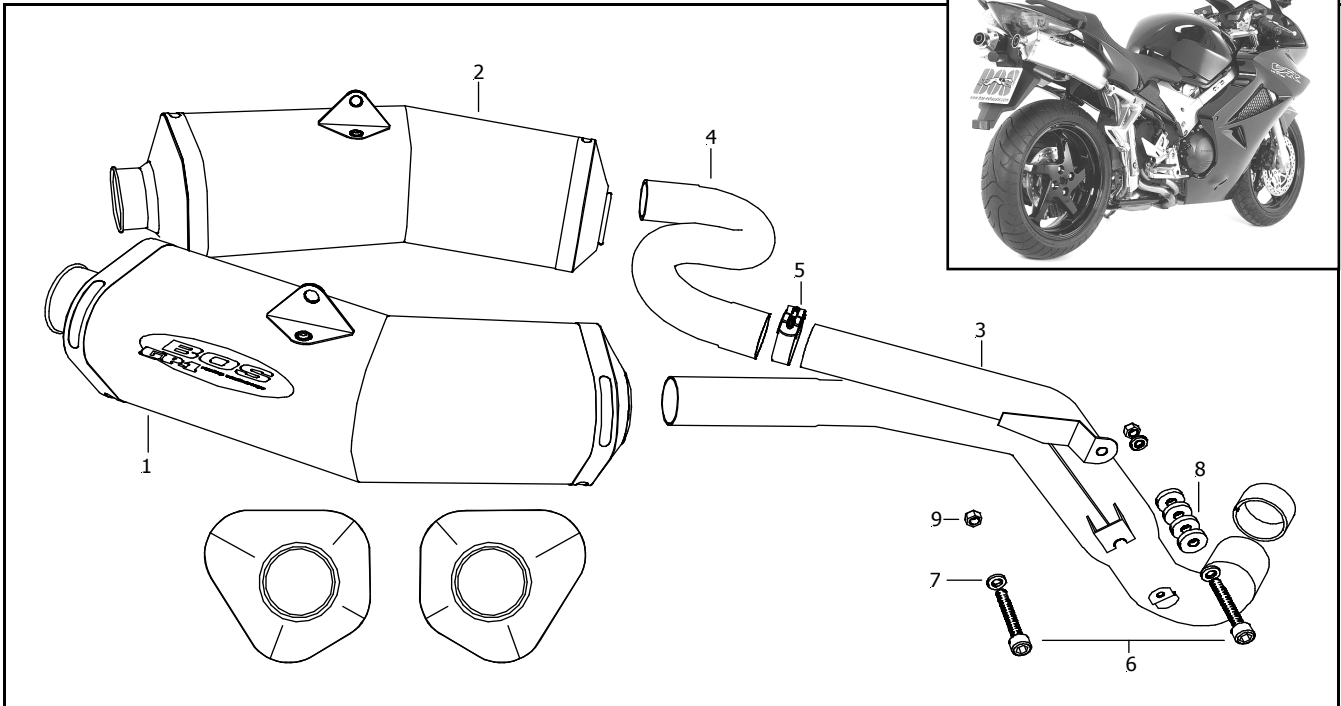


# HONDA

## BOS GP-1 SLIP-ON 2002 AND UP

### VFR800 V-TEC



Pos	Qty	Description	Part No.
1	1	Muffler aluminium right	299476
2	1	Muffler aluminium left	299477
3	1	Adapter	298121
4	1	Connection tube	296041
<b>Mounting kit :</b>			280151
5	1	Clamp 38	290038
6	2	Bolt M8X45	408024
7	3	Washer M8	408003
8	4	Spacer M8 1-4 required	408062
9	2	Nut M8	408018
	1	Mounting instructions	426032

#### Order number

0230208A - Alu

#### Weight

Original: 8.6 kg

Bos: 5.7 kg

#### Noiselevel @ 5250 RPM

Original: specified 85.5 dB(A)  
measured 85.5 dB(A)

Bos: Ec appr. 86.3 dB(A)  
open 89.3 dB(A)

#### Performance

Bos: 104.3 Hp / 10357 rpm

Stock : 99.9 Hp / 10150 rpm

Max Hp incr.: + 5.8 Hp / 11291rpm

Max Nm incr. :+ 3.8 Nm / 11291rpm

#### Tips

These GP-1silencers fit perfectly under the original tailpiece and in the license plate holder

More information like photos and a full color dyno graph can be found on: [www.bos-exhausts.com](http://www.bos-exhausts.com)

